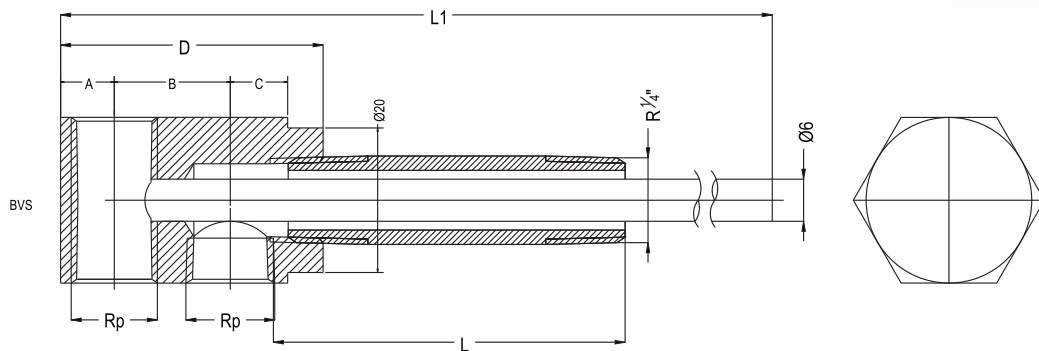


COUPLINGS, MULTICOUPLINGS &  
MOULD COOLING PRODUCTS

KUPPLUNGEN, MULTIKUPPLUNGEN &  
KÜHLUNGSELEMENTE FÜR WERKZEUGE

**BVS / BLS Cascade**  
Kaskaden - Temperierelemente für Standardbohrungen  
Material: MS58 Brass - Messing



Order No / Bestellnr	Rp	A	B	C	D	LI	L
BVS 10x50	BSP 1/8"	9	19	9	42	356	50
BVS 10x100	BSP 1/8"	9	19	9	42	356	100
BVS 10x150	BSP 1/8"	9	19	9	42	356	150
BVS 10x200	BSP 1/8"	9	19	9	42	356	200
BVS 13x50	BSP 1/4"	9	19	9	42	356	50
BVS 13x100	BSP 1/4"	9	19	9	42	356	100
BVS 13x150	BSP 1/4"	9	19	9	42	356	150
BVS 13x200	BSP 1/4"	9	19	9	42	356	200

Order No / Bestellnr	Rp	A	B	C	D	LI	L
BLS 10x50	BSP 1/8"	9	26	12	54	362	50
BLS 10x100	BSP 1/8"	9	26	12	54	362	100
BLS 10x150	BSP 1/8"	9	26	12	54	362	150
BLS 10x200	BSP 1/8"	9	26	12	54	362	200
BLS 13x50	BSP 1/4"	9	26	12	54	362	50
BLS 13x100	BSP 1/4"	9	26	12	54	362	100
BLS 13x150	BSP 1/4"	9	26	12	54	362	150
BLS 13x200	BSP 1/4"	9	26	12	54	362	200